



SOLID MATERIAL STORAGE

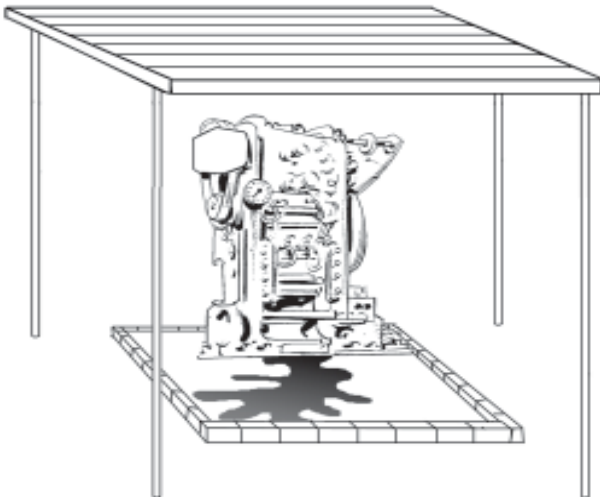


Stormwater Management Information Sheet 4.0

Stormwater Pollution From Solid Materials



pollution from stored powders or machinery



Always store old parts or engines with residual oil, grease or fuel in a bunded area, preferably under cover.



litter can pollute creeks

Solid materials may be non-hazardous or classified as hazardous substances or dangerous goods.

Solid materials usually occur in several forms:

Powders or dust, (powdercoat paint, sawdust, sand, cement, flour etc).

Pellets or granules, (plastics, stones, animal feeds etc).

Chipped materials (swarf, mulch, wood shavings etc).

Larger objects (timber, sheetmetal, angle iron etc)

Finished goods.

Non-essential goods (Old machinery, excess stock, empty oil/chemical drums, used packaging materials etc).

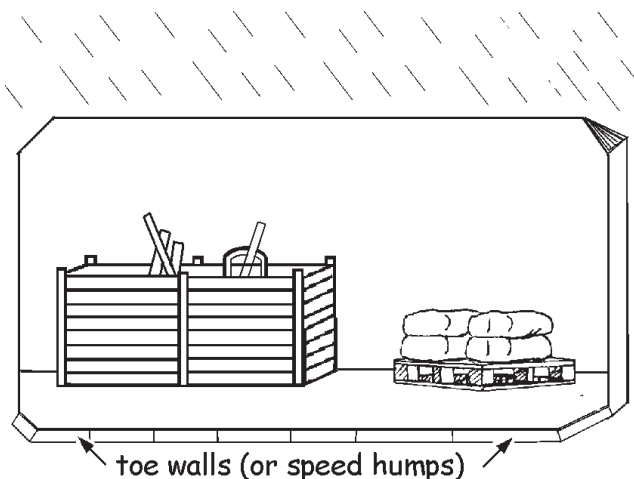
Solid materials can affect the quality of stormwater if they are blown or washed into the drains.

Pollution can be caused by flaking paint, oily residues or rust coming off finished goods, stored drums or new metal, oil leaking from stored machinery or vehicles, chemicals leaching from treated timber, pallets or crates.

This pollution can also cause blockages in the stormwater system if dusts, soils or pellets are not securely contained.

Visual pollution can be caused by items such as packaging materials (polystyrene, bubble wrap, cardboard etc) floating in creeks.

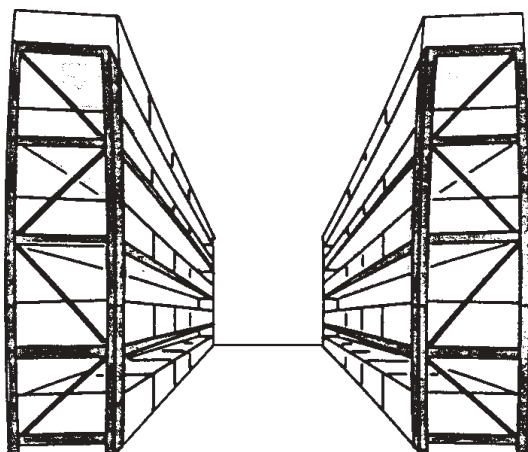
Securely Store Solid Materials To Stop Pollution



store under cover if possible

Where possible store solid materials inside, under cover, in weatherproof containers or in secure areas.

Storing goods securely will help reduce the risk of pollution and it will also prevent loss of raw materials and damage to your stock.



store goods securely in racks

Remove Your Unwanted Materials



recycle



sell

Outdated or unused machinery, excess stock or materials that are unlikely to be used should be recycled, sold off or correctly disposed of. Not only does this material have the potential to pollute, it may also be taking up useful storage or car parking space.

If you have excess or unused hazardous substances or dangerous goods on site, they must be removed by a licensed dangerous goods carrier. (Refer to Victorian WorkCover Authority website: www.workcover.vic.gov.au and search for 'Dangerous Goods'.)



correctly dispose