

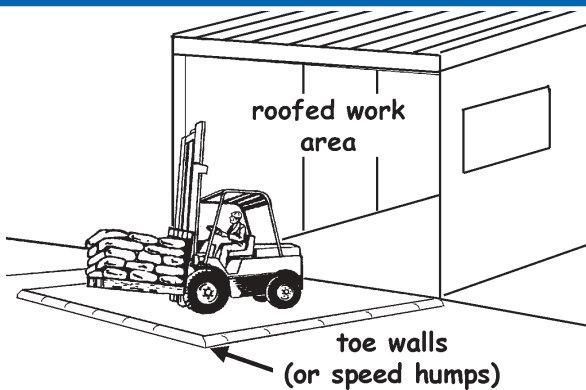


DELIVERY & TRANSFER OF GOODS



Stormwater Management Information Sheet 3.0

On-site Transfer



Spills from loading and unloading operations are a common source of stormwater pollution. Where possible conduct all activities with the potential to pollute water (e.g. loading and unloading, transfer of materials) within roofed and bunded areas or indoors.

Liquids

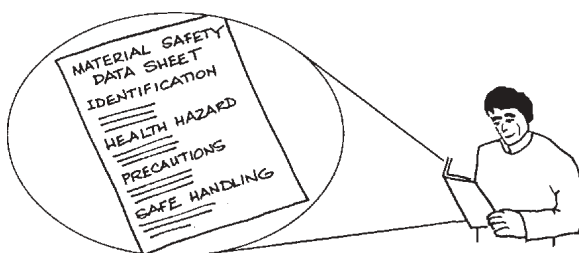


When moving, pumping, loading or unloading liquids make sure that a spill kit is available for use in case of a spill. Depending on the type of liquid, spill kits can be as simple as a drum full of sand or sawdust and a shovel.

For hazardous or dangerous liquids, manufactured kits are available in a range of sizes for different applications (oils, chemicals etc) and can be purchased from a number of local suppliers.

Remember – a vehicle delivering goods to your site may have other hazardous/dangerous goods on board and you may need to help in an emergency.

Solids



Spilt solid materials such as granules (powders, pellets), sawdust or wood shavings can enter the stormwater system and either block it or break down and cause pollution. Solid materials should be transported in an appropriate container and in the event of a spill, swept up and disposed of correctly.

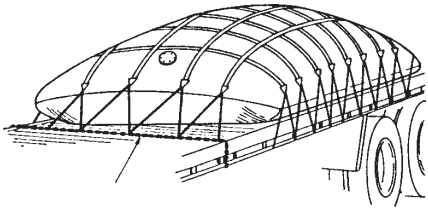
Correct disposal information can be found on MSDS's (Material Safety Data Sheets).



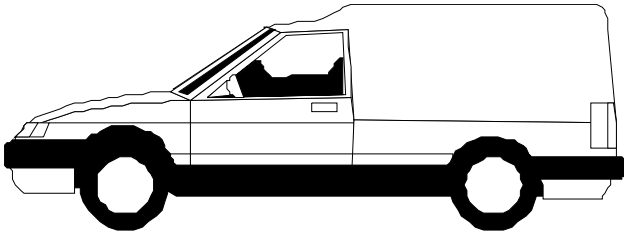
Assisted by funding from the Victorian Government through EPA Victoria as part of the Victorian Stormwater Action Programme.



Delivery



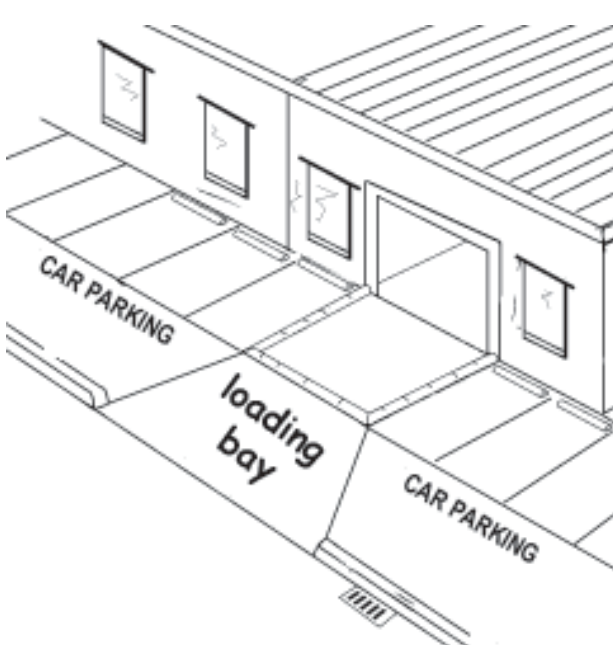
Cover and secure loads leaving your site to stop loose material or goods falling off or blowing away



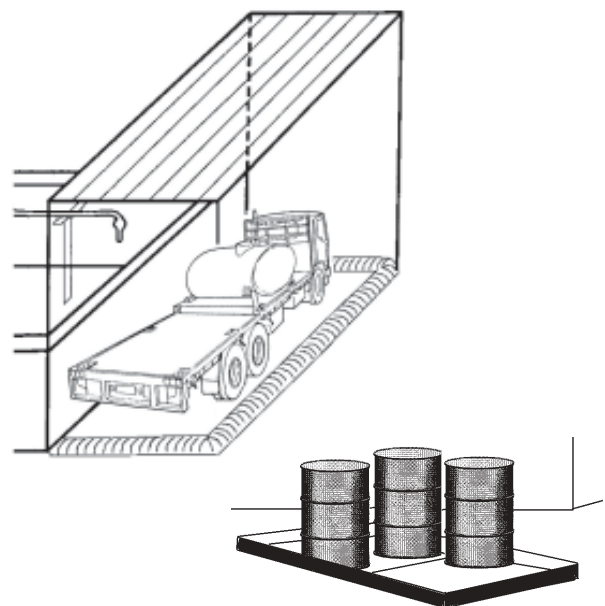
cover loads leaving your site

Yard Areas

Separate clean and dirty areas



driveways
and
car-parking areas



loading bays,
material collection points,
waste storage areas and yards

Separate relatively clean areas (e.g. driveways and car-parking areas) and relatively dirty areas (e.g. loading bays, material collection points, waste storage areas and yards).